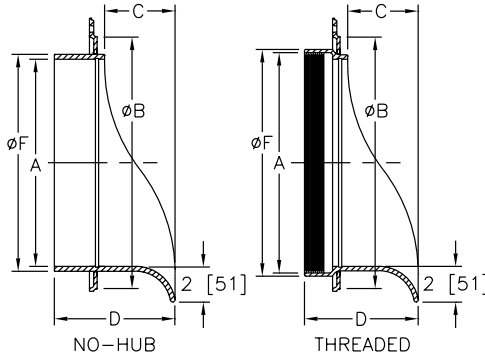


Z199 DOWNSPOUT NOZZLE



ENGINEERING SPECIFICATION

Zurn ZANB199 downspout nozzle features all nickel bronze body, optional threaded or no-hub inlet and decorative face of wall flange and outlet nozzle.



PREFIXES	DESCRIPTION	PIPE SIZE	LIST PRICE
ZANB199*	All Nickel Bronze Body	2", 3", 4"	1,078.00
		5", 6"	1,938.00
		8"	2,651.00
		10"	3,463.00
		12"	4,286.00
ZAB199	All Polished Bronze Body	2", 3", 4"	973.00
		5", 6"	1,746.00
		8"	2,554.00
		10"	3,318.00
		12"	4,107.00
ZARB199	All Plain Bronze Body	2", 3", 4"	630.00
		5", 6"	1,492.00
		8"	2,259.00
		10"	2,933.00
		12"	3,691.00
OUTLETS (SPECIFY PIPE SIZE IN INCHES AND TYPE OF OUTLET)			
OUTLET TYPE	OUTLET DESIGNATION (PIPE SIZE/OUTLET TYPE)		ADD
IP	Threaded	2IP, 3IP, 4IP, 5IP, 6IP, 8IP, 10IP, 12IP	N/C
PVC	IP Threaded	2PVC, 3PVC, 4PVC, 5PVC, 6PVC, 8PVC, 10PVC, 12PVC	N/C
NH	No-Hub	2NH, 3NH, 4NH, 5NH, 6NH, 8NH, 10NH, 12NH	N/C
SUFFIXES			ADD
-SS	Removable Stainless Screen		552.00

Dimensions in inches [mm]							Approximate Weight lb [kg]
A	B	C	D		F		
			IP/PVC	NH	IP/PVC	NH	
2 [51]	4-1/2 [114]	2-5/8 [67]	4-1/2 [114]	4-1/2 [114]	2-13/16 [71]	2-3/8 [60]	5 [2]
3 [76]	5-1/2 [140]	2-5/8 [67]			3-15/16 [100]	3-3/8 [86]	6 [3]
4 [102]	6-5/8 [168]	2-43/64 [68]			4-15/16 [125]	4-3/8 [111]	7 [3]
5 [127]	7-5/8 [194]	3-1/16 [78]	4-59/64 [125]	5-15/32 [139]	6-1/16 [154]	5-5/16 [135]	12 [5]
6 [152]	8-5/8 [219]	3-3/32 [79]			7-1/8 [181]	6-5/16 [160]	13 [6]
8 [203]	10-5/8 [270]	2-31/32 [75]			5-25/32 [147]	9-1/8 [232]	8-3/8 [213]
10 [254]	12-5/8 [321]	3-1/2 [89]	5-53/64 [148]	6-5/16 [160]	11-5/32 [283]	10-9/16 [268]	15 [7]
12 [305]	14-5/8 [371]	4-5/64 [104]	6-13/32 [163]	6-57/64 [175]	13-5/32 [334]	12-1/2 [318]	18 [8]

BEST SELLERS	LIST PRICE
ZAB199-2NH	973.00
ZAB199-3IP	973.00
ZAB199-4IP-SS	1,525.00
ZAB199-4NH	973.00
ZAB199-6IP	1,746.00
ZAB199-6NH-SS	2,298.00
ZAB199-8IP-SS	3,106.00
ZAB199-8NH-SS	3,106.00
ZANB199-10IP	3,463.00
ZANB199-10NH	3,463.00
ZANB199-10-PVC	3,463.00
ZANB199-12NH	4,286.00
ZANB199-2IP	1,078.00
ZANB199-3IP	1,078.00
ZANB199-3NH-SS	1,630.00
ZANB199-3-PVC	1,078.00
ZANB199-4IP	1,078.00
ZANB199-4IP-SS	1,630.00
ZANB199-4NH-SS	1,630.00
ZANB199-4-PVC	1,078.00
ZANB199-6IP	1,938.00

BEST SELLERS	LIST PRICE
ZANB199-6NH	1,938.00
ZANB199-6NH-SS	2,490.00
ZANB199-6-PVC	1,938.00
ZANB199-8IP	2,651.00
ZANB199-8IP-SS	3,203.00
ZANB199-8NH	2,651.00
ZANB199-8-PVC	2,651.00
ZARB199-10NH	2,933.00
ZARB199-12NH-SS	4,243.00
ZARB199-12-PVC	3,691.00
ZARB199-2IP	630.00
ZARB199-3IP	1,182.00
ZARB199-3NH-SS	1,182.00
ZARB199-3-PVC	1,182.00
ZARB199-4IP	630.00
ZARB199-4IP-SS	1,182.00
ZARB199-4-PVC	630.00
ZARB199-4-PVC-SS	1,182.00
ZARB199-5IP	1,492.00
ZARB199-6IP	1,492.00
ZARB199-6-PVC	1,492.00

*Regularly furnished unless otherwise specified.

Items designated as Best Sellers are most specified and are generally in stock for shipment.

⌚ This symbol denotes a product that is engineered to reduce installation and rework time.

For additional product information, please visit www.zurn.com.

INTRO
 ROOF DRAINS
 FLOOR DRAINS
 T, P, BW VALVES
 INTERCEPTORS
 CARRIERS
 HYDRANTS
 CLEANOUTS
 WHA
 SS DRAINS
 FAB SS DRAINS
 SANI-FLOOR
 TECH INFO